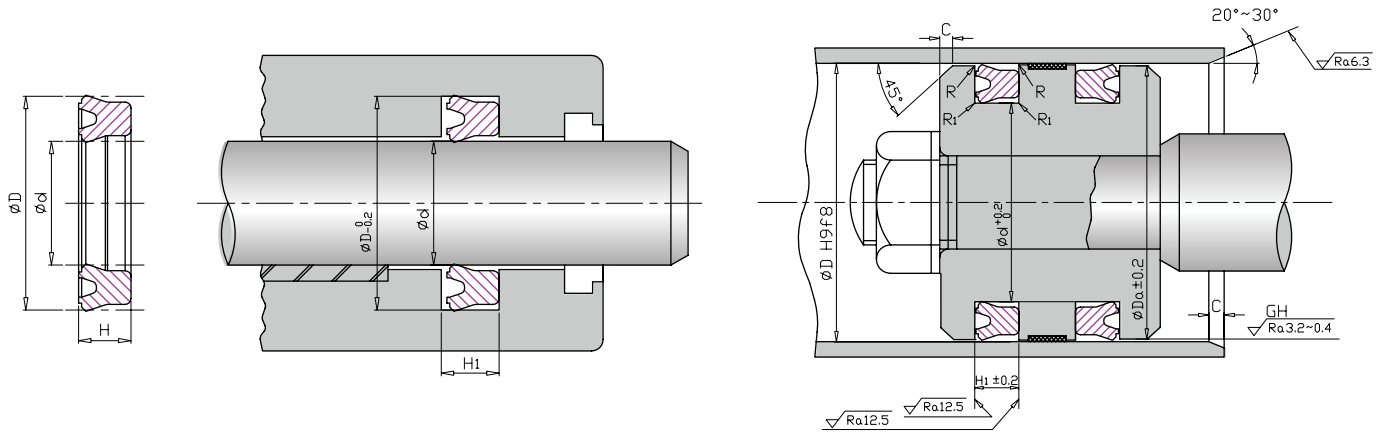
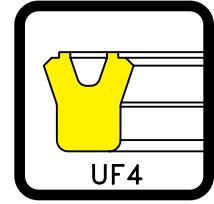


# UF4 Series

TPU Symmetrical Piston & Rod U-Cup Seal



### ESTER TPU 95 PHYSICAL PROPERTIES

Working Pressure: $\leq 21$ Mpa			Hardness	95 Shore A	DIN53505
Working Temperature: $-35^{\circ}\text{C} \sim +80^{\circ}\text{C}$				95 Shore A	ASTM D2240
Surface Speed: $\leq 0.8$ m/s			Tensile Strength	50 Mpa	DIN53504
Media: Mineral Oil				7252 psi	ASTM D-412
Abrasion Resistance	35mm <sup>3</sup>	DIN53516	Elongation	515 %	DIN53504
Compression Set	30%	DIN53517		515 %	ASTM D-412
24 hrs @ 100 °C	30%	ASTM D-395	Tear Strength	140 N/mm	DIN53515
Specific gravity	1.18 g/cm <sup>3</sup>	DIN53479		799 pli	ASTM D-624
	1.18 g/cm <sup>3</sup>	ASTM D-972	Standard Compound	KC9502AN / KC9502BL	
			Color	Gray ● / Dark Blue ●	

CODE	d (mm)	D (mm)	H	H1	Da
UF40001	10.0	18.0	5.0	5.7	17.0
UF40002	12.0	20.0	5.0	5.7	19.0
UF40003	12.5	20.0	5.0	5.7	19.0
UF40004	14.0	22.0	5.0	5.7	21.0
UF40005	16.0	24.0	5.0	5.7	23.0
UF40006	17.0	25.0	5.0	5.7	24.0
UF40007	18.0	26.0	5.0	5.7	25.0
UF40008	20.0	28.0	5.0	5.7	27.0
UF40009	20.0	30.0	6.0	7.0	29.0
UF40010	22.0	30.0	5.0	5.7	29.0
UF40011	22.4	30.0	5.0	5.7	29.0
UF40012	23.5	31.5	5.0	5.7	30.5
UF40013	24.0	32.0	5.0	5.7	31.0
UF40014	25.0	33.0	5.0	5.7	32.0
UF40015	25.0	35.0	5.0	7.0	34.0
UF40016	26.0	34.0	5.0	5.7	33.0

CODE	d (mm)	D (mm)	H	H1	Da
UF40017	27.0	35.0	5.0	5.7	34.0
UF40018	28.0	35.5	5.0	5.7	34.5
UF40019	28.0	36.0	5.0	5.7	35.0
UF40020	30.0	38.0	5.0	5.7	37.0
UF40021	30.0	40.0	6.0	7.0	39.0
Uf40022	31.5	41.5	6.0	7.0	40.5
UF40023	32.0	42.0	6.0	7.0	41.0
UF40024	33.0	43.0	6.0	7.0	42.0
UF40025	34.0	44.0	6.0	7.0	43.0
UF40026	35.0	45.0	6.0	7.0	44.0
UF40027	35.5	45.0	6.0	7.0	44.0
UF40028	35.5	45.5	6.0	7.0	44.5
UF40029	36.0	46.0	6.0	7.0	45.0
UF40030	38.0	48.0	6.0	7.0	47.0
UF40031	40.0	50.0	6.0	7.0	49.0
UF40032	45.0	55.0	6.0	7.0	54.0

# UF4 Series

TPU Symmetrical Piston &amp; Rod U-Cup Seal

CODE	d (mm)	D (mm)	H	H1	Da
UF40033	45.0	56.0	7.0	8.0	55.0
UF40034	46.0	56.0	6.0	7.0	55.0
UF40035	50.0	60.0	6.0	7.0	59.0
UF40036	53.0	63.0	6.0	7.0	62.0
UF40037	55.0	65.0	6.0	7.0	64.0
UF40038	56.0	66.0	6.0	7.0	65.0
UF40039	58.0	68.0	6.0	7.0	67.0
UF40040	60.0	70.0	6.0	7.0	69.0
UF40041	60.0	71.0	7.0	8.0	70.0
UF40042	61.0	71.0	6.0	7.0	70.0
UF40043	63.0	73.0	6.0	7.0	72.0
UF40044	65.0	75.0	6.0	7.0	74.0
UF40045	67.0	77.0	6.0	7.0	76.0
UF40046	70.0	80.0	6.0	7.0	79.0
UF40047	71.0	80.0	6.0	7.0	79.0
UF40048	75.0	85.0	6.0	7.0	84.0
UF40049	80.0	90.0	6.0	7.0	89.0
UF40050	80.0	95.0	9.0	10.0	94.0
UF40051	85.0	95.0	6.0	7.0	94.0
UF40052	85.0	100.0	9.0	10.0	99.0
UF40053	86.0	100.0	8.5	9.5	99.0
UF40054	89.0	104.0	9.0	10.0	103.0
UF40055	90.0	100.0	6.0	7.0	99.0
UF40056	90.0	105.0	9.0	10.0	104.0
UF40057	95.0	110.0	9.0	10.0	109.0
UF40058	96.0	111.0	9.0	10.0	110.0
UF40059	98.0	112.0	8.5	9.5	111.0
UF40060	100.0	115.0	9.0	10.0	113.0
UF40061	105.0	120.0	9.0	10.0	118.0
UF40062	106.0	120.0	8.5	9.5	118.0
UF40063	110.0	125.0	9.0	10.0	123.0
UF40064	112.0	125.0	9.0	10.0	123.0
UF40065	115.0	130.0	9.0	10.0	128.0
UF40066	118.0	132.0	8.5	9.5	130.0
UF40067	125.0	140.0	9.0	10.0	138.0
UF40068	132.0	145.0	8.5	9.5	143.0
UF40069	136.0	150.0	8.5	9.5	148.0
UF40070	145.0	160.0	9.0	10.0	158.0